


Dynablast[®]

REPLACEMENT PARTS MANUAL

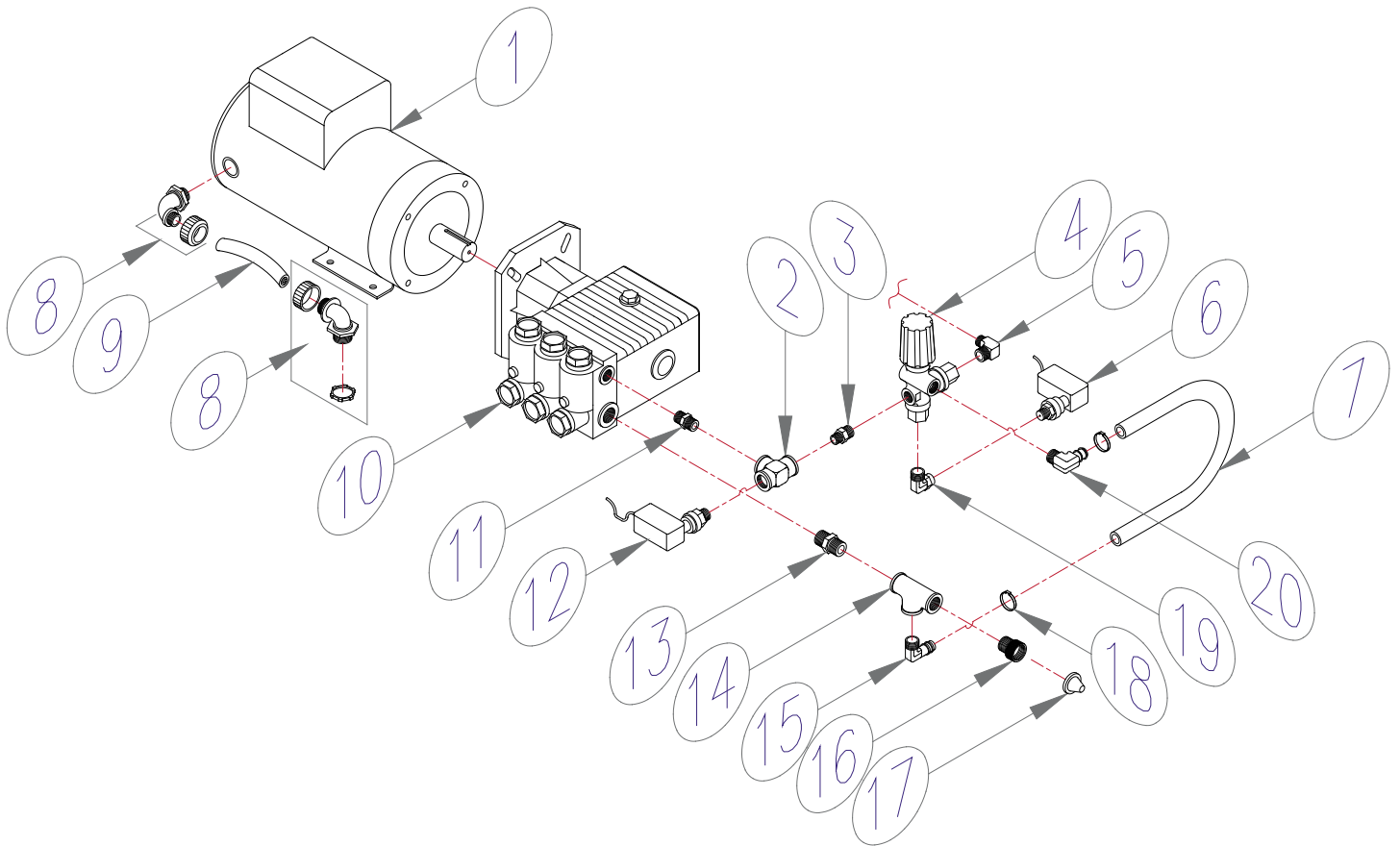
H3025DEF1
(built before Jan. 2006)



DEF-05

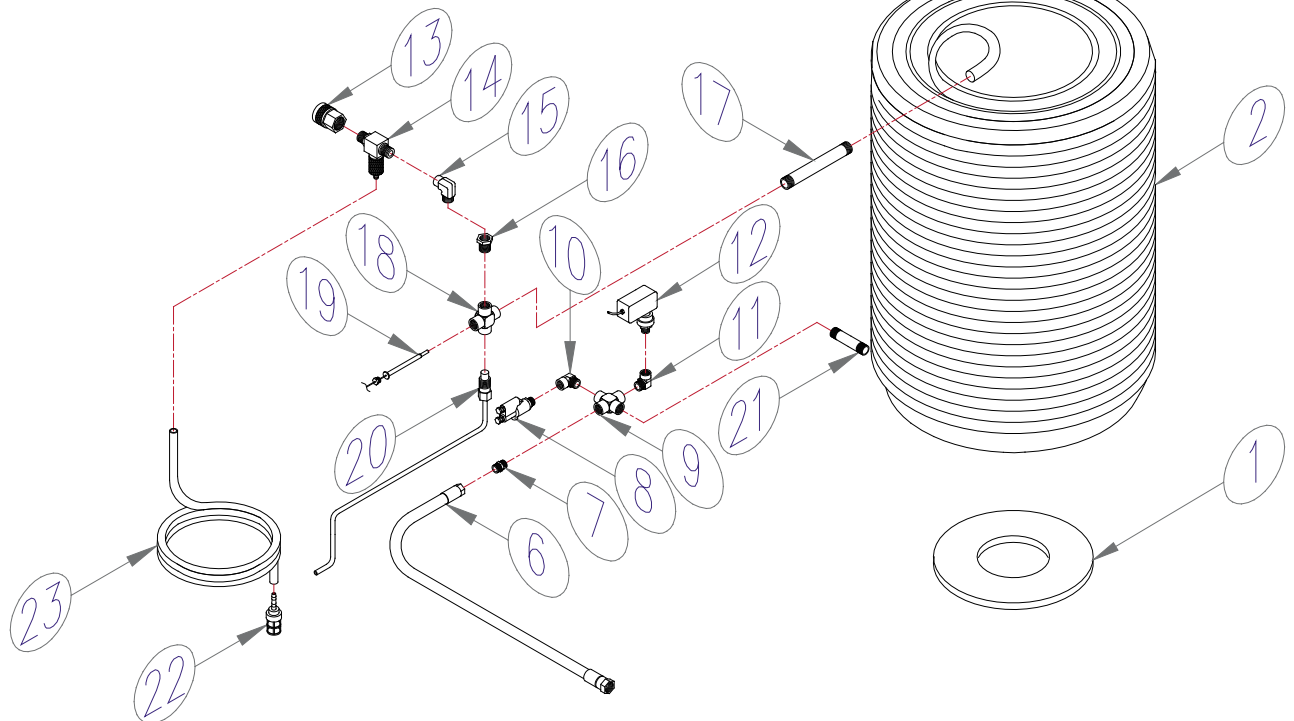
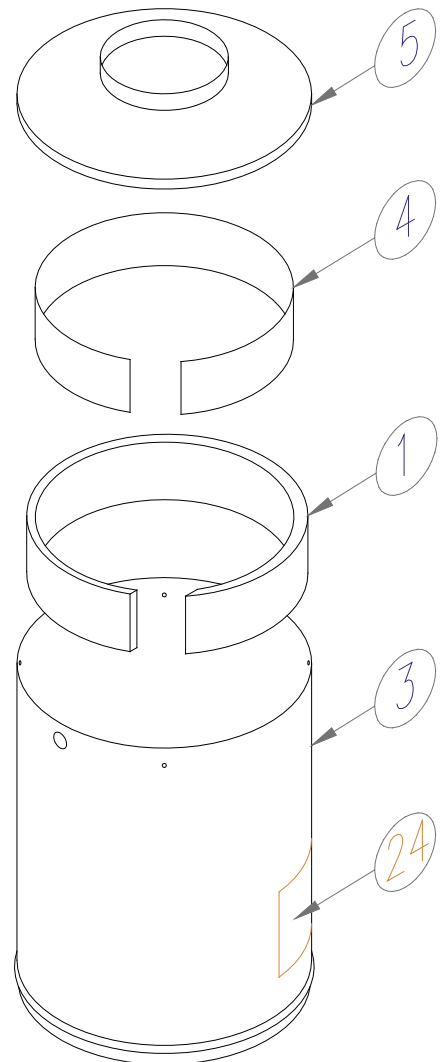

Dynablast Inc.
2625 Meadowpine Blvd.
Mississauga, Ontario L5N 7K5, Canada
1-877-52BLAST (25278) www.dynablast.com

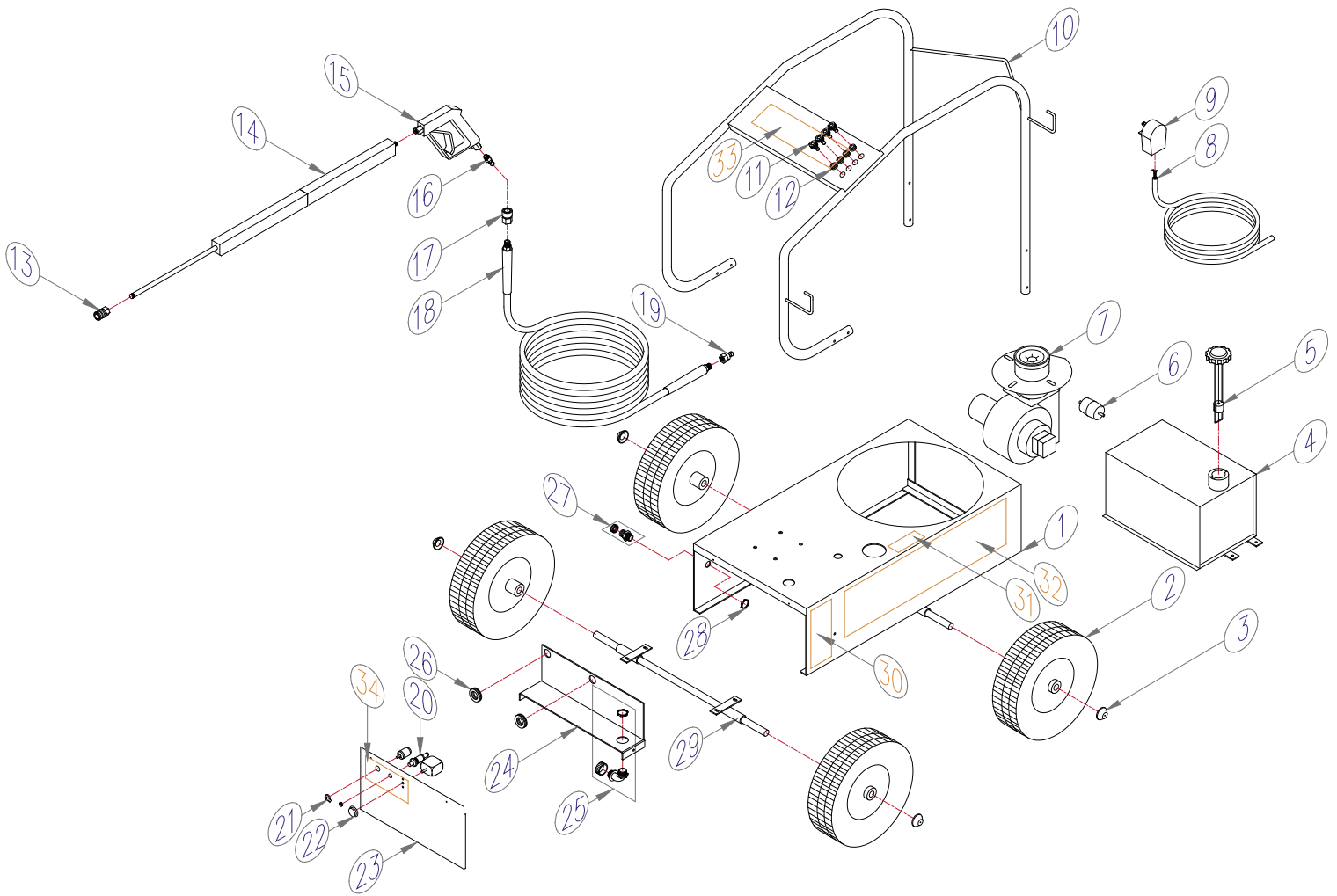
DEF SERIES



Item #	Part Number	Description	Qty.
1	HWENPCL1327M	5HP ODP/230V/3450 RPM	1
2	FIS1001-B	1/4" NPTF TEE	1
3	CMM0203ST	3/8" HEX NIPPLE* -steel	1
4	UVP1060H	UNLOADER VALVE	1
5	FIS 3749-6C	3/8" NPTM TO 3/8" NPTM ELBOW	2
6	PSW1	PRESSURE SWITCH n.o.	1
7	HWCWD1/2250BK	HOSE, BY-PASS 1/2" ID BLACK	1
8	ELHFC3/8 90	90 DEG. ELBOW-CABLE STRAINER	1
9	ELHF2-3/8	ELECTRIC CONDUIT	1
10	TT2530BARS	PUMP	1
11	CMM0202ST	1/4" HEX NIPPLE* -steel	1
12	PSW1	PRESSURE SWITCH n.c.	1
13	CMM0303BR	3/8" HEX NIPPLE* -brass	1
14	FI.101-C	3/8" TEE BRASS	1
15	EMB0304BR	3/8" NPTM x 1/2" HOSE BARB ELBOW	1
16	SGM0004BRL	GARDEN HOSE ADAPTER	1
17	38000035	INLET SCREEN	1
18	071069	HOSE CLAMP	2
19	160-902	3/8" NPTM x 1/2" HOSE BARB ELBOW	1
20	EMB0304BR	3/8" NPTM x 1/2" HOSE BARB ELBOW	1

Item #	Part Number	Description	Qty.
1	HW40194	INSULATION KIT	1
2	HW40056	HEAT EXCHANGER COIL	1
3	HW24575	STAINLESS STEEL SKIN	1
4	EP40199	INSULATION RETAINER RING	1
5	HW24559	COIL SKIN CAP	1
6	FIA59LD30	HIGH PRESSURE CONNECTING HOSE	1
7	FIS3748-6C	1/4"X3/8" REDUCING NIPPLE*	1
8	SRI	HIGH PRESSURE BLOW OFF VALVE	1
9	160-334	3/8" NPTF CROSS - steel	1
10	160-902	ELBOW 3/8" NPTM TO 3/8" NPTF	1
11	KFM0302ST	ELBOW 3/8" NPTM TO 1/4" NPTF	1
12	PSW1	PRESSURE SWITCH 3 WIRE	1
13	QC7218	3/8" NPTF QC SOCKET	1
14	CJ1B	INJECTOR WITH BRASS KNOB	1
15	160-902	ELBOW 3/8" NPTM TO 3/8" NPTF	1
16	FIS1010-DC	REDUCING BUSHING 3/8"NPTF TO 1/2"NPTM	1
17	210-802	PIPE NIPPLE 1/2" NPTM X 3" (SCH 80)	1
18	FIS1002-D	1/2" NPTF CROSS (steel)	1
19	HWTR86	THERMOSTAT	1
20	HWT44110	HIGH LIMIT SWITCH	1
21	FIMP113-C71/2H	PIPE NIPPLE 3/8" X 7 1/2"*	1
22	F1I	FOOT STRAINER (chemical filter)	1
23	PVCTUB25375	PVC TUBING (1 ft.)	3
24	EP23361	WARNING LABEL	1





Item #	Part Number	Description	Qty.
1	HW24424	BASE	1
2	WH13C	TURF WHEEL 13"	4
3	076-020	AXLE CAP	4
4	HW24573	FUEL OIL TANK	1
5	FA201634	FUEL CAP/LEVEL INDICATOR	1
6	HW33001	FUEL FILTER	1
7	JB301	BECKETT BURNER	1
8	ELTEW10-104	POWER CORD	1
9	EL42	POWER PLUG (NEMA 6-30P)	1
10	HW24570	STANDARD FULL ROLL BAR	1
11	QCMEG00035	QC NOZZLE RED	1
11	QCMEG15035	QC NOZZLE YELLOW	1
11	QCMEG25035	QC NOZZLE GREEN	1
11	QCEM2540	QC NOZZLE BLACK SOAP	1
12	WMC6053	NOZZLE GROMMET	4
13	QC7214	1/4" NPTF QC SOCKET	1
14	Z12	EXTENSION 120 CM*(LANCE)	1
15	RL25	SPRAY GUN	1
16	QC7196	PLUG 3/8" M PLATED STEEL QC	1

Item #	Part Number	Description	Qty.
17	QC7218	3/8" NPTF QC SOCKET	1
18	HW50	HOSE ASSY HOT WATER 50' W/FITT	1
19	QC7195	QC PLUG 3/8" F PLATED STEEL	1
20	HW345603	FUSE HOLDER 1-1/4 x 1/4	1
21	HWCA4	BURNER SWITCH	1
22	HWTR86	THERMOSTAT	1
23	EP24425	FRONT PANEL	1
24	EP24425R	PANEL BRACKET	1
25	ELHF03/8 90	90 DEG. ELBOW-CABLE STRAINER	1
26	FARB248	GROMMET	2
27	EL3234	STRAIN RELIEF	1
28	EL1706	3/4" LOCKNUT	1
29	EP40566	AXLE	2
30	EP23216	SPECIFICATION LABEL	1
31	EP23299A	FUEL OIL LABEL	1
32	580-200	DYNABLAST DECAL SIDES	2
33	LABEL399	3025 NOZZLE PANEL LABEL	1
34	EP23361	SWITCH PANEL LABEL	1

*

PARTS LIST

ITEM	PART NO	DESCRIPTION	KIT NO	QTY.	ITEM	PART NO	DESCRIPTION	KIT NO	QTY.	ITEM	PART NO	DESCRIPTION	KIT NO	QTY.
1.	51.0106.22	Crankcase		1	19.	90.2620.00	Packing	96,97	3	37.	51.0500.56	Plunger Rod		3
2.	98.2100.00	Plug		2	20.	51.0800.70	Packing Retainer	86,96	3	49.	99.2730.00	Screw, J34		4
3.	90.3833.00	O-Ring		1	21.	90.3604.00	O-Ring	86,96,97	3		99.3345.00	Screw, X34		
4.	51.2091.02	Protector		1	22.	90.3835.00	O-Ring	86,96,97	3	50.	96.7014.00	Washer, J34		4
5.	90.1565.00	Oil Seal	83	3	23.	97.5968.00	Sight Gauge		1		96.7104.00	Washer, X34		
6.	98.2041.00	Plug		1	24.	20.2128.35	Needle Bearing		1	51.	10.0346.22	Flange, J34		1
7.	51.1200.41	Manifold, Brass		1	25.	98.2103.00	Oil Dip Stick		1		10.0344.22	Flange, X34		
8.	96.6938.00	Washer		8	26.	92.2216.00	Nut		3	52.	99.1867.00	Screw		4
9.	99.1943.00	Screw		8	27.	96.7008.00	Washer		3	53.	96.6938.00	Washer		4
10.	90.3841.00	O-Ring	123	6	28.	51.0400.09	Plunger (15 mm)		3	54.	50.2115.51	Spacer		1
11.	36.2003.66	Valve Seat	123	6	29.	90.3572.00	O-Ring		3	55.	90.4097.00	O-Ring		1
12.	36.2001.76	Valve Plate	123	6	30.	90.5022.00	Back Up Ring		3	56.	90.1644.00	Oil Seal		1
13.	94.7376.00	Spring	123	6	31.	96.7070.00	Flinger Washer		3	57.	90.0667.00	Snap Ring		1
14.	36.2025.51	Valve Cage	123	6	32.	97.7310.00	Conn. Rod Pin		3	58.	20.2835.21	Bearing		1
15.	90.3847.00	O-Ring		6	33.	51.1600.22	Crankcase Cover		1	59.	51.0210.65	Crankshaft, TP2520		1
16.	98.2216.00	Valve Cap		6	34.	99.1867.00	Screw		4		51.0211.65	Crankshaft, TP2526		
17.	36.7115.01	Valve Assy.	123	6	35.	90.3917.00	Cover O-Ring		1		51.0221.65	Crankshaft, TP2530		
18.	51.1000.51	Head Ring	96,97	3	36.	51.0301.22	Connecting Rod		3		51.0218.65	Crankshaft, TP2533		

REPAIR KITS

KIT NO.	RKI083	RKI086	RKI096	RKI097	RKI123
ITEM NO.s INCLUDED IN KIT	5	20, 21, 22	18, 19, 20, 21, 22	18, 19, 21, 22	10, 11, 12, 13, 14, (17)
NUMBER OF ASSEMBLIES IN KIT	3	3	1	3	6
NUMBER OF CYLINDERS KIT WILL SERVICE	3	3	1	3	3

TORQUE SPECS*

Position	Ft.-lbs.
2	29.4
6	14.7
9	8.8
16	49.0
23	13.2
26	11.0
34	7.3
49	14.7
52	7.3

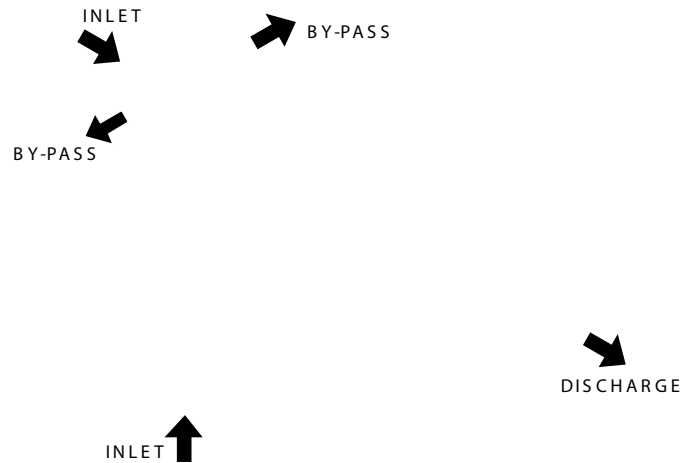
*Decrease torque by 20% if threads are lubricated.

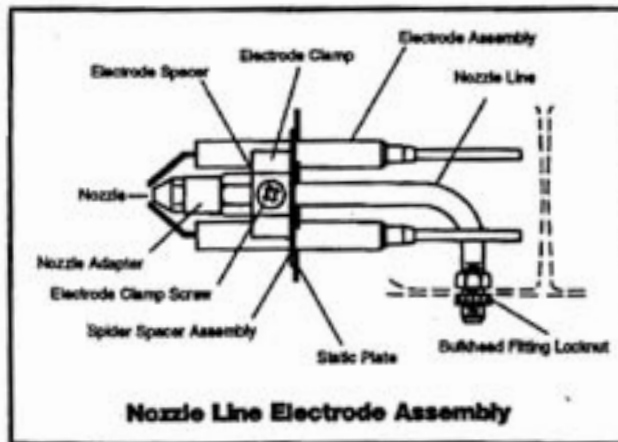
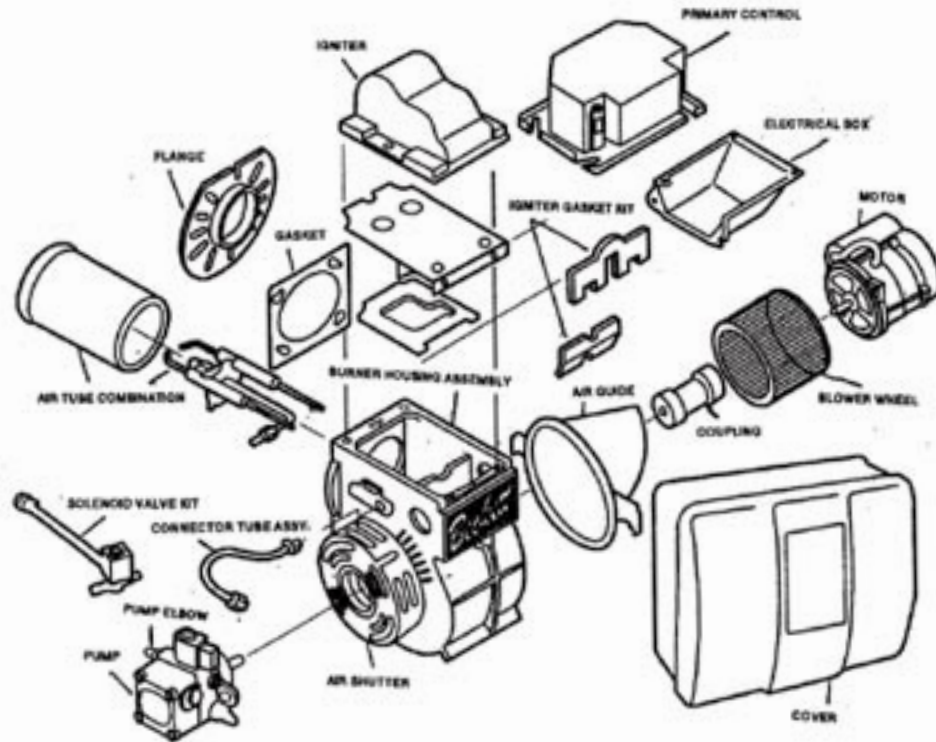
UVP 1060H

Trapped Pressure Unloader Valve

PULSAR3 – Y60.0006.80
UNLOADER VALVE

No.	Part No.	Description	Kit	Qty.
KIT	60005424P	Repair Kit	*	
1.	60005031P	Inlet Fitting, 3/8 NPT-F		1
2.	10306800P	O-ring, .676 ID x .070 CS	*	2
3.	60001551P	Ball Spring		1
4.	14746100P	SS Ball, 13/32	*	1
5.	10305901P	O-Ring, .437 ID x .070 CS	*	1
6.	60025451P	SS Seat, .551 OD x .335 ID	*	1
7.	60005735P	Brass Body, 3/8 NPT		1
8.	60002531P	Plug, 3/8 NPT		2
10.	10402100P	Backup Ring	*	2
11.	10317508P	O-Ring, .424 ID x .103 CS	*	1
12.	60006123P	SS Piston		1
13.	10317008P	O-ring, .299 ID x .103 CS	*	1
14.	10402000P	Backup Ring	*	1
15.	60006431P	Piston Housing		1
16.	15102100P	Locking Pin		1
17.	60003361P	Blue Spring		1
20.	10321300P	O-ring, .236 ID x .118 CS	*	1
21.	60005231P	Check Valve		1
22.	60005351P	SS Spring		1
23.	10307002P	O-ring, .739 ID x .070 CS	*	1
24.	60005931P	Outlet Fitting, 3/8 NPT-F		1
27.	60000284P	Plastic Plug for Knob		1
28.	11458910P	Zinc Nut, M8		1
29.	60000131P	Insert M8		1
30.	60000384P	Plastic Knob		1
31.	14372040P	Washer, 9mm x 24mm		1
32.	11457331P	Brass Nut, M8		2





Description	Part No.
Motor 1/5HP 3450RPM	HW2899U
Blower Wheel	HW2383U
Coupling 1/2" x 3/8"	HW2433
Pump A2VA7116	HW2460U
Pump A2EA6520 + 12V coil	HW2184402U
Valve R261NL 12V Suntec	HW21441U
Igniter/Transformer	HW21176U
Nozzle Line Electrodes Assembly	HWNL40XN
Head 360022	HWF22
Head 360012	HWF12
Shutter	HW3215
Band	HW5151503
Electrodes replacement kit	HW5780
Coil only, 12V	HW21754U
Burner Nozzle	HW17580A



HR 4KIT	
----------------	--

Operating pressure (PSI)	4000
Maximum operating temperature	250 degree F
Boxed Unit Weight (lbs)	33

Item Number	Description	Quantity
PW2	SWIVEL REEL 4000 PSI	1
BOLT5/16X3/4	BOLT 5/16X3/4	4
WASHER5/16	WASHER 5/16*	4
590-230	5/16 Whizlock Nut	4
TEFLONTAPE	TEFLON TAPE 1/2" X 480" .003	1
HW155EXT	15 1/2" HOSE 1/2M x 3/8M	1
H5110BAG	10" X 13" 2MM RECLOSABLE BAG	1
EFF0303ST	3/8F X 3/8F STEEL 90 ELBOW	1

PARTS LIST
 PRESSURE WASH REEL
 Model PW-2

<u>Item No.</u>	<u>Description</u>	<u>PART NUMBER</u>	<u>Quantity</u>
2	1/2" Split Bearing, P02A-00130	9902.1250	2
3A	Brake Wheel	9949.0065	2
3B	Cam Lock Lever	9947.0132	1
3C	Brass Barrel Nut for Cam Lever Brake	9947.0133	1
12	Disc, 16-1/2" Diameter	9903.0516	1
13	Drum, 6" Dia x 6" Long(specify model PW-2)	9905.7112	1
20	Frame Assembly, GH-1950	9908.1025	1
25A	3/8"-16 Carriage Bolt w/ Nut	9904.0214	4
25B	1/4"-20 x 1-1/2" Hex Head Bolt	9904.1004	4
25C	1/4"-20 x 3/4" Hex Head Bolt	9904.1001	6
25D	5/16"-18 x 2-1/4" Hex Head Bolt	9904.1107	2
27A	3/8"-16 Spinlock Nut	9904.6200	4
27B	5/16"-18 Spinlock Nut	9904.6100	7
27C	1/4"-20 Acorn Nut	9958.0037	4
28A	Disc Washer	9965.0040	2
28B	1/2" Hub Spacer Washer	9954.0020	1
28C	5/16" Flat Washer (not shown)	9954.0006	2
29	1/8" x 1" Roll Pin (not shown)	9958.0085	2
34	1/2" Hub Assy. w/ 3/8" FNPT Riser(specify model PW-2)	9901.0610	1
41	1/2" 90 Degree F x F Swivel Joint	9927.8551	1
55	Hand Crank Complete (includes hardware)	9914.0021	1
70A	PW-2 Roller Assembly Complete	9939.0081	1
70B	Roller Mounting Bracket, P70A-00770 (PW-2)	9941.0211	2

H3025DEF1 - WIRING

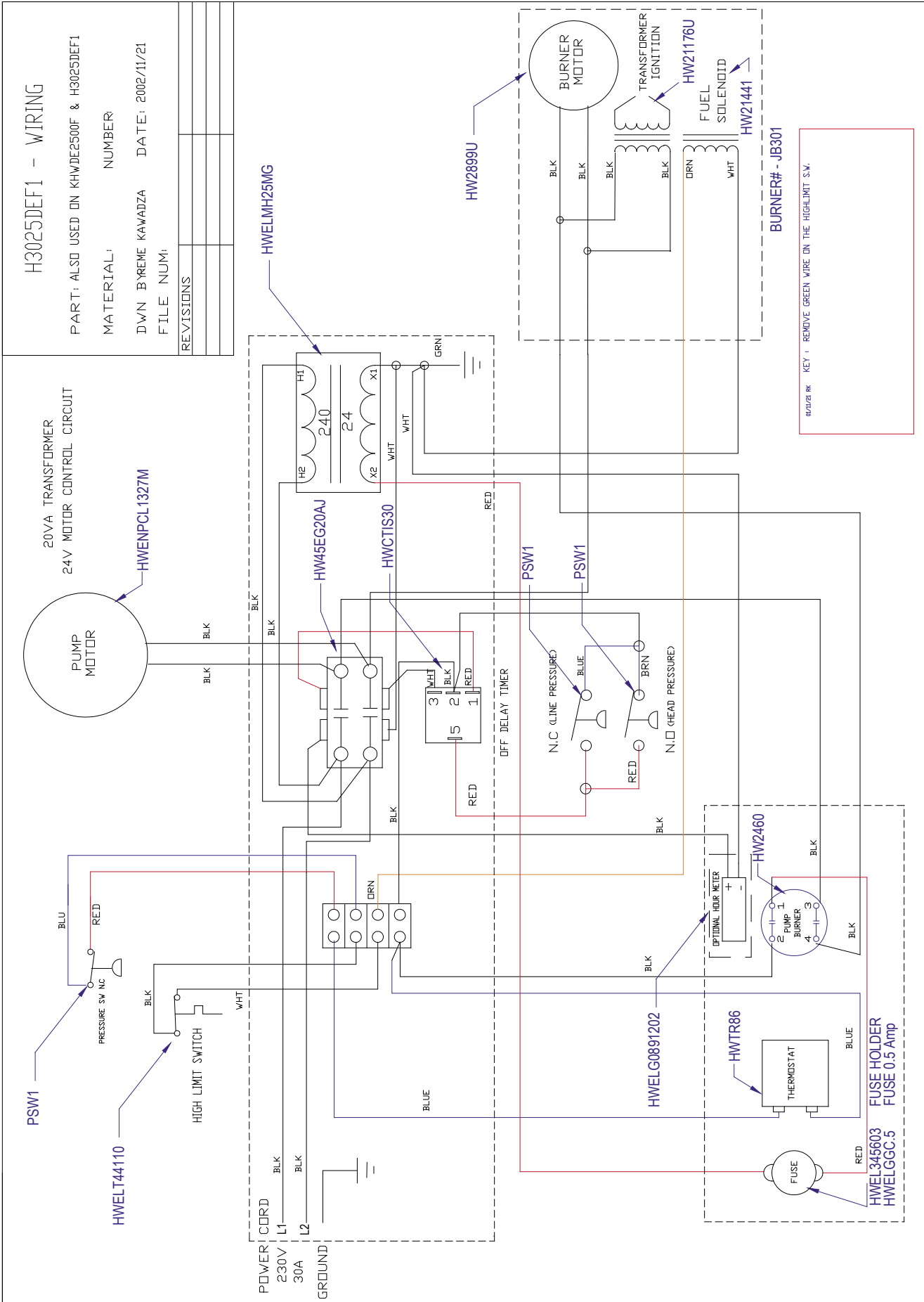
PART: ALSO USED ON KHWE2500F & H3025DEF1

MATERIAL: NUMBER

DWN BY: REVE KAWADZA DATE: 2002/11/21

FILE NUM:

REVISIONS



02/21/02 RK KEY: REMOVE GREEN WIRE ON THE HIGH LIMIT S.W.